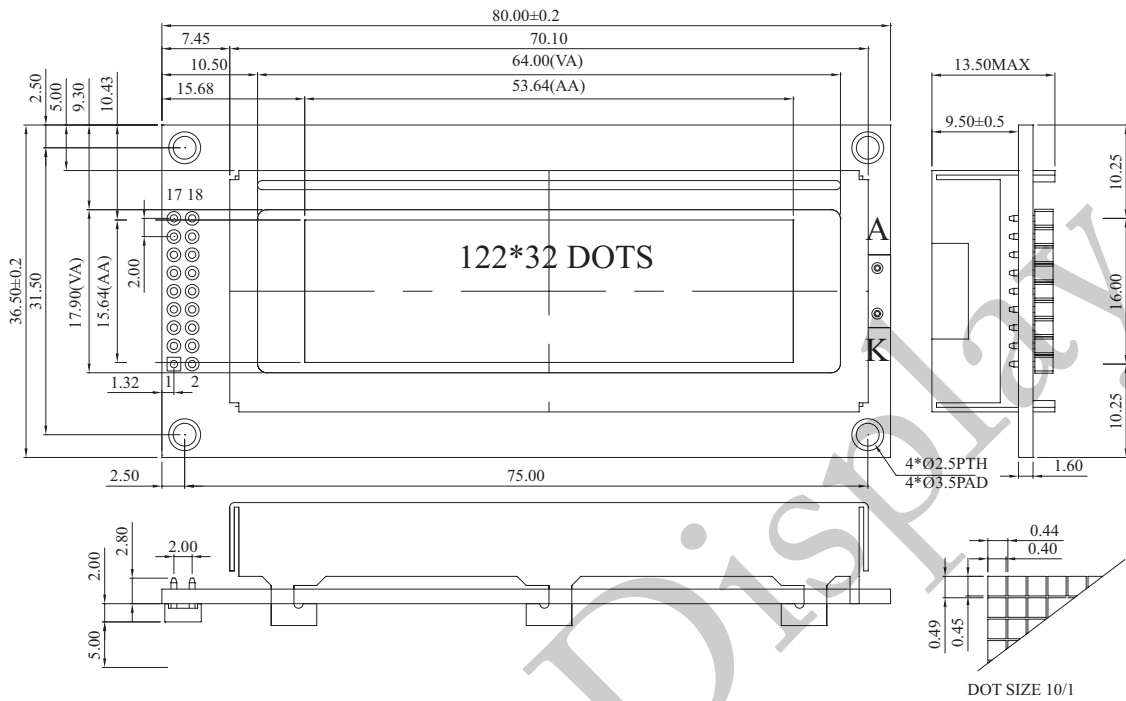


**WG12232P Graphic 122x32 dots**

**Dimension drawing**



Graphic type

**Feature**

1. 122\*32 dots includes cursor
2. Built-in controller AT15200
3. + 5.0V power supply
4. 1/32 duty cycle

Pin NO.	Symbol	Function
1	Vdd	Supply voltage for logic
2	Vss	Ground
3	Vo	Operating voltage for LCD
4	/RST	Reset Signal
5	E1	Enable chip1
6	E2	Enable chip2
7	R/W	H : Read ; L : Write
8	A0	H : Data L : Instruction
9	DB0	Data bus line
10	DB1	Data bus line
11	DB2	Data bus line
12	DB3	Data bus line
13	DB4	Data bus line
14	DB5	Data bus line
15	DB6	Data bus line
16	DB7	Data bus line
17	A	LED+
18	K	LED-

**Mechanical Data**

Item	Standard Value	Unit
Module dimension	80.0 x 36.5	mm
Viewing area	64.0 x 17.9	mm
Mounting hole	75 x 31.5	mm
Dot Size	0.4 x 0.45	mm
Dot Pitch	0.44 x 0.49	mm

**Absolute Maximum Rating**

Item	Symbol	Standard Value			Unit
		min.	typ.	max.	
Power Supply	VDD-VSS	2.7	---	5.0	V
Input Voltage	VI	0	---	VDD	V

Note: VSS=0 Volt , VDD=5.0 Volt .

**Electronical Characteristics**

Item	Symbol	Condition	Standard Value			Unit
			min.	typ.	max.	
Input Voltage	VDD-VSS	-	4.5	5.0	5.5	V
Supply Current	IDD	VDD=5V	0.29	0.33	0.37	mA
Recommended LC Driving Voltage for Normal Temp. Version module	VDD-V0	-20°C	-	-	-	V
		25°C	-	4.5	-	
		+70°C	-	-	-	
LED Forward Voltage	VF	25°C	4.1	4.2	4.3	V
LED Forward Current	IF	25°C	99	110	132	mA