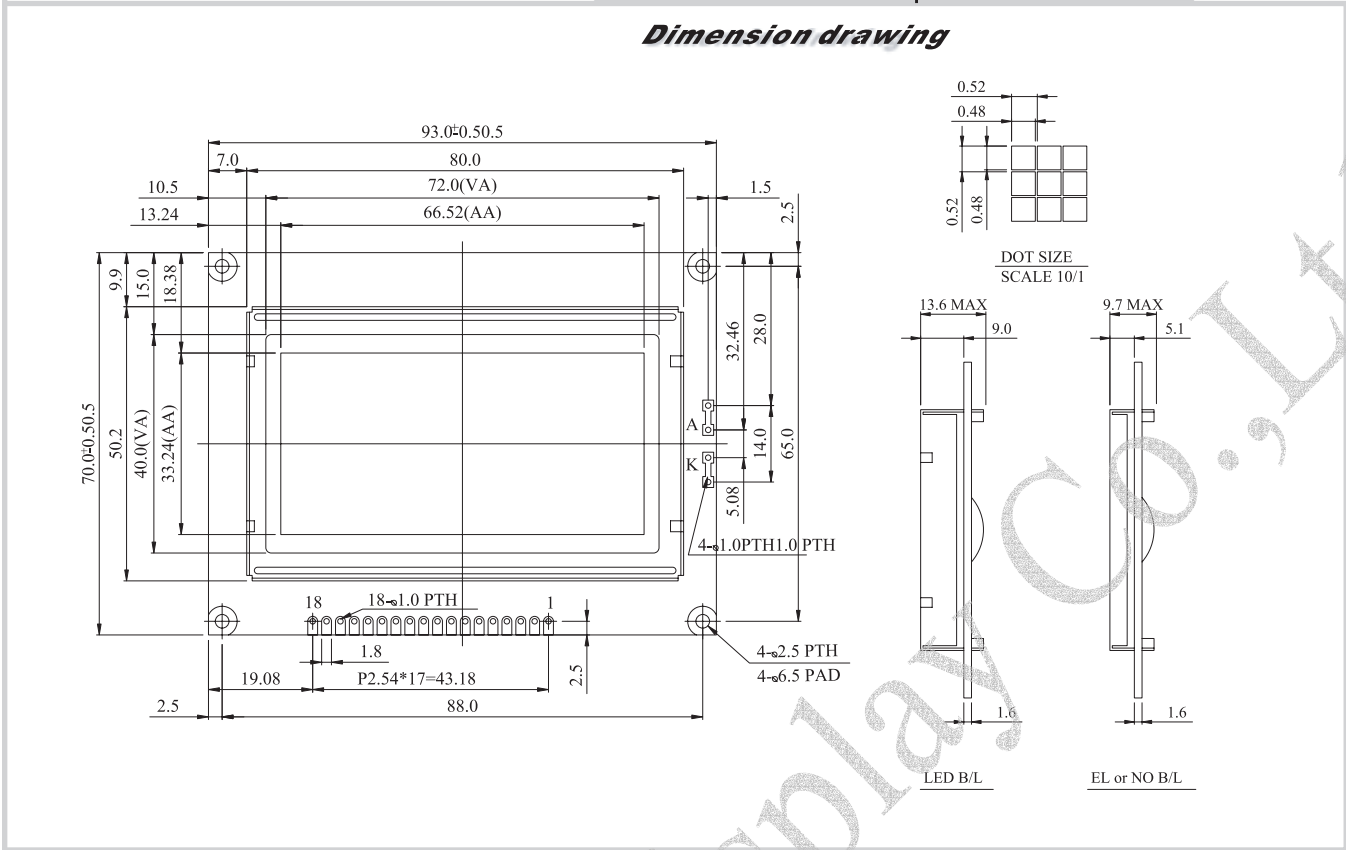




# WG12864J Graphic 128x64dots

## Dimension drawing



### Feature

- Character mode:  
Display BIG5 or GB Chinese font(16x16dots)  
and ASCII code (8x16dots)
- Graphic mode:128x64dots
- Built-in controller(ST7920)
- +5V power supply
- 1/32 duty cycle
- LED can be driven by A and K
- N.V. option

Pin NO.	Symbol	Function
1	Vss	GND
2	Vdd	Power supply (+5V)
3	V0	Positive voltage input for LCD
4	RS	Register select signal
5	R/W	Data read/write
6	E	H →L Enable signal
7	DB0	Data bus line
8	DB1	Data bus line
9	DB2	Data bus line
10	DB3	Data bus line
11	DB4	Data bus line
12	DB5	Data bus line
13	DB6	Data bus line
14	DB7	Data bus line
15	A	Power supply for B/L
16	K	Power supply for B/L
17	RST	Reset LCD module
18	Vout	Positive Voltage output

### Mechanical Data

Item	Standard Value	Unit
Module Dimension	93.0x70.0	mm
Viewing Area	72.0x40.0	mm
Mounting hole	88.0x6.5	mm
Dot Pitch	0.52x0.52	mm

### Absolute Maximum Rating

Item	Symbol	Standard Value			Unit
		min.	typ.	max.	
Power Supply	VDD-VSS	4.75	5.0	5.25	V
Input Voltage	VI	-0.3	---	VDD	V

Note : VSS=0 Volt, VDD=5.0 Volt.

### Electronical Characteristics

Item	Symbol	Condition	Standard Value			Unit
			min.	typ.	max.	
Input Voltage	VDD	L level	0.7VDD	---	VDD	V
	VIO	H level	0	---	0.3VDD	V
Supply Current	IDD	VDD=5V	---	3.6	3.9	mA
Recommended LC Driving Voltage for Normal Temp. Version module	Vo-Vss	-20°C	7.1	7.6	8.1	V
		0°C	---	---	---	
		25°C	6.1	6.6	7.1	
		50°C	---	---	---	
LED Forward Voltage	VF	25°C	---	4.2	4.6	V
		70°C	5.0	5.5	6.0	
LED Forward Current	IF	25°C	---	330	660	mA
EL	IEL	Vel=110VAC;400Hz	---	---	5.0	mA

### Display Character Address Code :

Display position	1	2	3	4	5	6	7	8	9	10	11	12	13	---	16
DD RAM Address	80	81													8F
DD RAM Address	90	91													9F
DD RAM Address	A0	A1													AF
DD RAM Address	B1	B0													BF

Graphic type