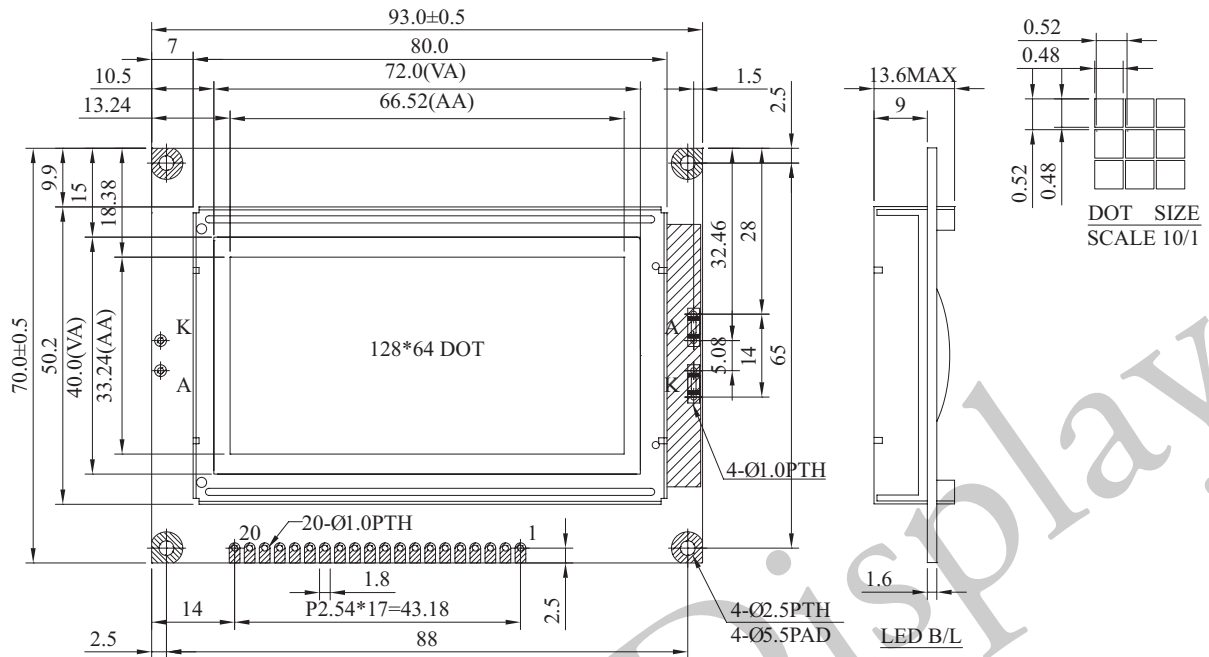


WG12864U3/U5 Graphic 128x64 dots

Dimension drawing



Graphic type

Feature

1. 128x64 dots includes cursor
2. Built-in controller ST7920
3. +3V/ + 5V power supply
4. 1/32 duty cycle
5. N.V.Built-in

Mechanical Data

Item	Standard Value	Unit
Module dimension	93.0 x 70.0	mm
Viewing area	72.0 x 40.0	mm
Mounting hole	88.0 x 65.0	mm
Dot Size	0.48 x 0.48	mm
Dot Pitch	0.52x 0.52	mm

Pin No.	Symbol	Description
1	VSS	Power Supply (GND)
2	VDD	Power Supply (+5V)
3	VO	Contrast Adjustment
4	RS	Data/ Instruction
5	R/W	Data read /write
6	E	Enable signal
7	DB0	Data bus line
8	DB1	Data bus line
9	DB2	Data bus line
10	DB3	Data bus line
11	DB4	Data bus line
12	DB5	Data bus line
13	DB6	Data bus line
14	DB7	Data bus line
15	PSB	Interface selection: 0: serial mode; 1: 8/4-bit parallel bus mode.
16	NC	NC
17	RST	Reset signal
18	VOOUT	Positive Voltage output
19	A	Power Supply for LED (+)
20	K	Power Supply for LED (-)

Absolute Maximum Rating

Item	Symbol	Standard Value			Unit
		min.	typ.	max.	
Power Supply	VDD-VSS	2.7	---	5.5	V
Input Voltage	VI	0	---	VDD	V

Note: VSS=0 Volt, VDD=3.0/5.0 Volt.

Electronical Characteristics

Item	Symbol	Condition	Standard Value			Unit	
			min.	typ.	max.		
Input Voltage	VDD-VSS	-	2.7	3.0	3.3	3V	
			4.75	5.0	3.5	5V	
			Supply Current	IDD	VDD=3V5V	-	2.1
Recommended LC Driving Voltage for Normal Temp. Version module	VDD-VSS	-20°C	-	-	-	V	
			25°C	4.1	4.4		4.7
			+70°C	-	-		-
LED Forward Voltage	VF	25°C	3.9	4.1	4.3	V	
LED Forward Current	IF	25°C	297	330	396	mA	