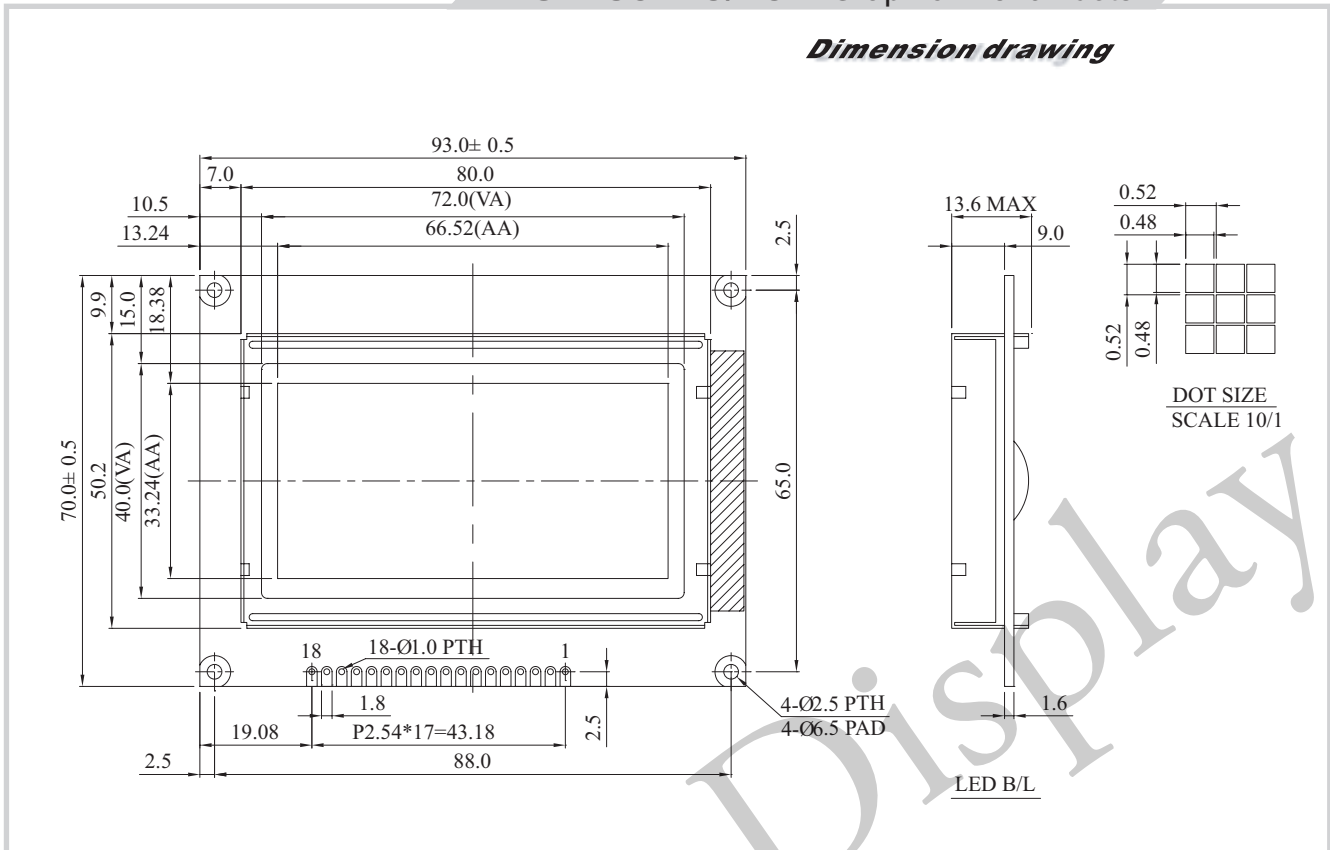




WG12864V3/V5 Graphic 128x64 dots

Dimension drawing



Feature

1. 128x64 dots includes cursor
2. Built-in controller ST7920
3. +3V/ + 5V power supply
4. 1/32 duty cycle
5. N.V.Built-in

Mechanical Data

Item	Standard Value	Unit
Module dimension	93.0 x 70.0	mm
Viewing area	72.0 x 40.0	mm
Mounting hole	88.0 x 65.0	mm
Dot Size	0.48 x 0.48	mm
Dot Pitch	0.52x 0.52	mm

Graphic type

Pin No.	Symbol	Description
1	VSS	Ground
2	VDD	Supply voltage for logic
3	VO	Supply voltage for LCD
4	RS	H: Data , L: Instruction
5	R/W	H: Read (MPU←Module) , L: Write (MPU→Module)
6	E	ENABLE SIGNAL
7	DB0	Data bus line
8	DB1	Data bus line
9	DB2	Data bus line
10	DB3	Data bus line
11	DB4	Data bus line
12	DB5	Data bus line
13	DB6	Data bus line
14	DB7	Data bus line
15	A	Power Supply for LED backlight (+)
16	K	Power Supply for LED backlight (-)
17	RST	Reset LCM
18	Vout	Positive voltage for LCD

Absolute Maximum Rating

Item	Symbol	Standard Value			Unit
		min.	typ.	max.	
Power Supply	VDD-VSS	2.7	---	5.0	V
Input Voltage	VI	0	---	VDD	V

Note: VSS=0 Volt, VDD=3.0/5.0 Volt.

Electronical Characteristics

Item	Symbol	Condition	Standard Value			Unit
			min.	typ.	max.	
Input Voltage	VDD-VSS		2.7	3.0	3.3	3V
			4.5	5.0	5.5	5
Supply Current	IDD	VDD=3V5V	—	2.4	3	mA
Recommended LC Driving Voltage for Normal Temp. Version module	VO-VSS	-20°C	—	—	—	V
		25°C	4.4	4.6	4.8	
		+70°C	—	—	—	
LED Forward Voltage	VF	25°C	3.9	4.1	4.3	V
LED Forward Current	IF	25°C	297	330	396	mA