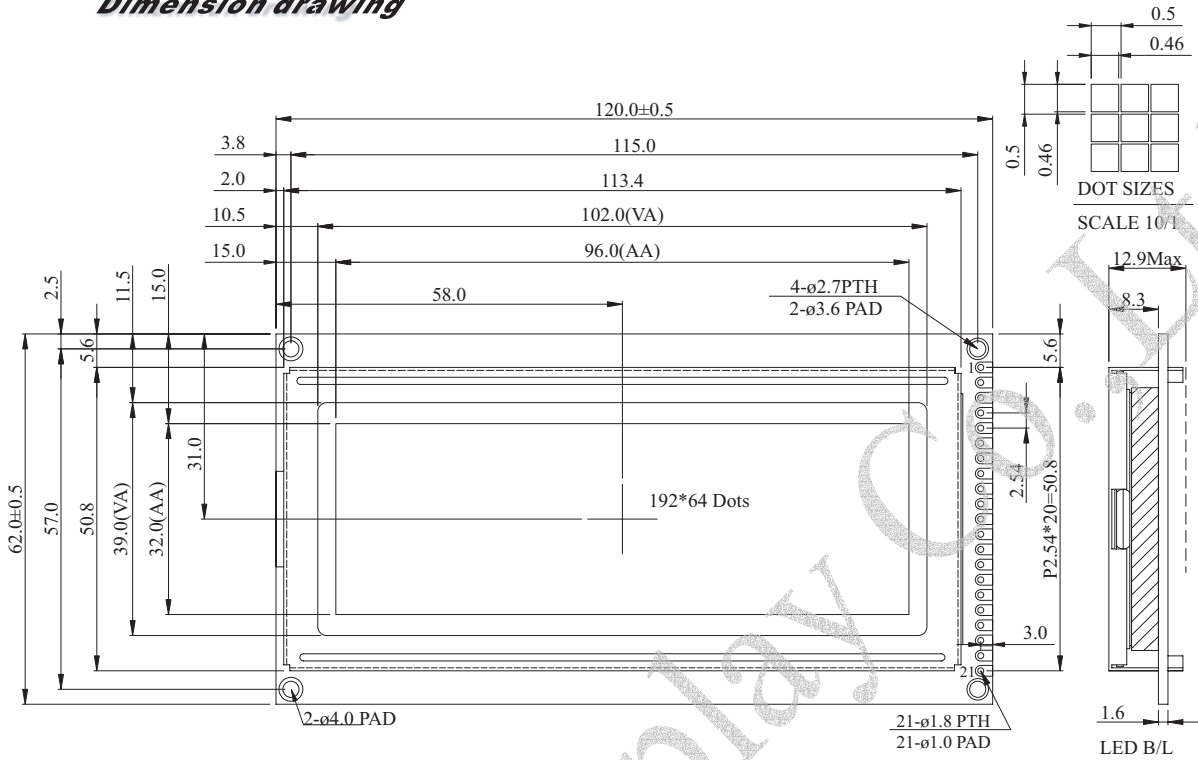


**WG19264D** Graphic 192x64 dots

**Dimension drawing**



Graphic type

**Feature**

1. Built-in controller Samsung-(KS0107,KS0108 or Equivalent)
2. +5V power supply
3. 1/64 duty cycle
4. Optional N/V

Pin NO.	Symbol	Function
1	Vss	GND
2	Vdd	Power Supply
3	Vo	Contrast Adjustment
4	Vee	Negative Voltage output
5	RS	H: Data L: Instruction
6	R/W	H:D0~D7 are display date H:D0~D7 are display control date
7	E	Chip enable signal
8	DB0	Data bus line
9	DB1	Data bus line
10	DB2	Data bus line
11	DB3	Data bus line
12	DB4	Data bus line
13	DB5	Data bus line
14	DB6	Data bus line
15	DB7	Data bus line
16	CS1	Enable chip1
17	CS2	Enable chip2
18	CS3	Enable chip3
19	RES	L:reset the LCM
20	A	+2.1V for LED
21	K	Power supply for B/L(OV)

**Mechanical Data**

Item	Standard Value	Unit
Module Dimension	120.0x62.0x14.0	mm
Viewing Area	102.0x39.0	mm
Dot Pitch	0.50x0.50	mm
Dot Size	0.46x0.46	mm

**Absolute Maximum Rating**

Item	Symbol	Standard Value			Unit
		min.	typ.	max.	
Power Supply	VDD-VSS	---	5.0	---	V
Input Voltage	VI	---	5.0	VDD	V

Note: VSS=0 Volt , VDD=5.0 Volt .

**Electronical Characteristics**

Item	Symbol	Condition	Standard Value			Unit
			min.	typ.	max.	
Input Voltage	VDD	---	---	5.0	---	V
Supply Current	IDD	---	---	8.0	---	mA
Recommended LC Driving Voltage for Normal Temp. Version module	VDD-VO	---	---	8.35	---	V
LED Forward Voltage (LED Y-G Array)	VLED	---	---	4.2	---	V
LED Forward Current (LED Y-G Array)	IF	---	---	180.0	---	mA