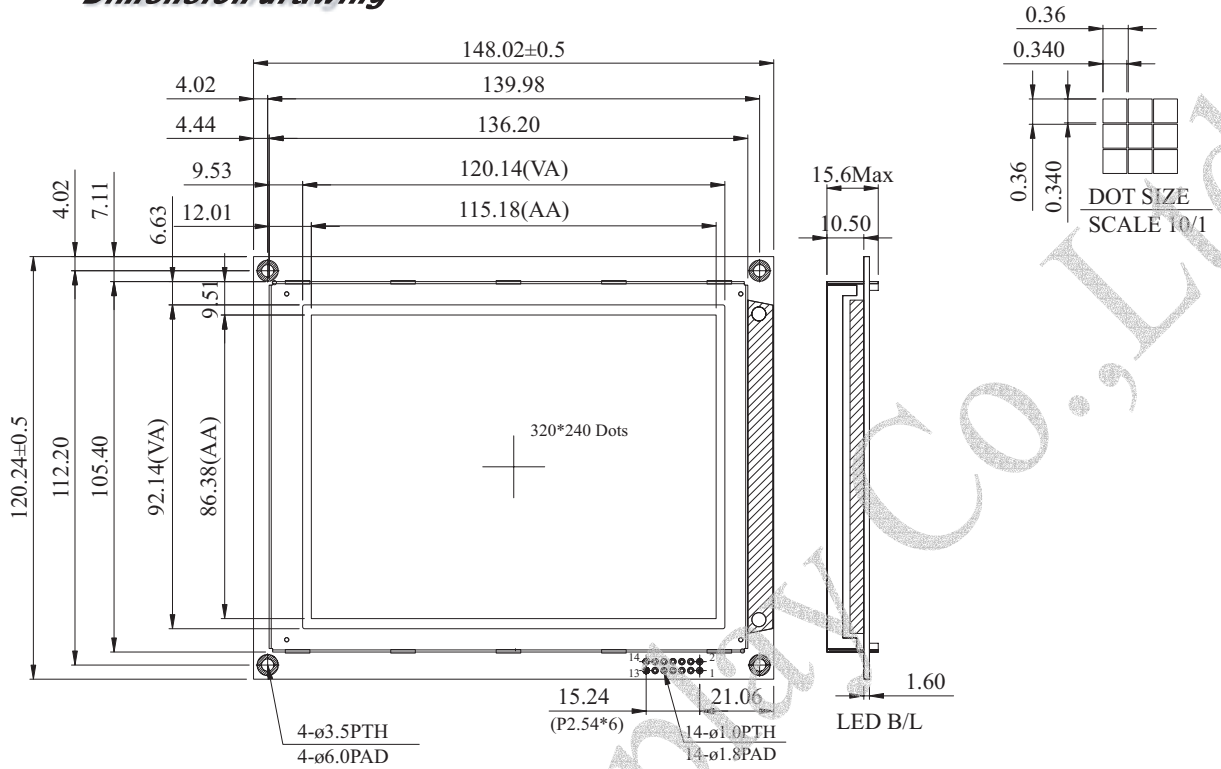


**WG320240H** Graphic 320x240 dots

**Dimension drawing**



Graphic type

**Feature**

1. 320x240 dots
2. +5V power supply
3. 1/240 duty cycle
4. No controller
5. Touch screen option(analog type)

**Mechanical Data**

Item	Standard Value	Unit
Module Dimension	148.02x120.24	mm
Viewing Area	120.14x92.14	mm
Mounting hole	139.98x112.2	mm
Dot Pitch	0.36x0.36	mm

Pin NO.	Symbol	Function
1	DB0	Data bus line
2	DB1	Data bus line
3	DB2	Data bus line
4	DB3	Data bus line
5	DISPOFF	H: Display ON, L: Display OFF
6	FLM	Scan start-up signal
7	M(N.C)	Frame reverse signal(alternate signal)
8	CL1(LP)	Data latch pulse
9	CL2(CP)	Data shift pulse
10	Vdd	Power supply for logic
11	Vss	Ground
12	Vee	Negative Voltage Output(Built-in)
13	Vo	Driving voltage for LCD
14	FGND	Frame Ground

**Absolute Maximum Rating**

Item	Symbol	Standard Value			Unit
		min.	typ.	max.	
Power Supply	VDD-VSS	4.75	5.0	5.25	V
Input Voltage	VI	-0.3	---	VDD	V

Note: VSS=0 Volt , VDD=5.0 Volt .

**Electronical Characteristics**

Item	Symbol	Condition	Standard Value			Unit
			min.	typ.	max.	
Input Voltage	VDD	---	2.7	---	5.5	V
Supply Current	IDD	VDD=5V	---	---	---	mA
Recommended LC Driving Voltage for Normal Temp. Version module	VDD-VO	-20°C	---	---	26.5	V
		25°C	---	24.0	---	
		70°C	22.1	---	---	
CCFL Starting Voltage	VFLS	25°C	---	600	---	Vrms
CCFL Driving Voltage	VFLD	25°C	216	270	405	Vrms
CCFL Driving Current	IFLD	V <sub>FQ</sub> =450Vrms 30KHZ	5.1	5.3	5.5	mA <sub>RMS</sub>
LED Forward Voltage	VF	25°C	3.4	3.5	3.6	V
LED Forward Current	IF	25°C	128	160	240	mA
EL Power Supply Current	IEF	V <sub>el</sub> =110VAC;400Hz	---	---	5.0	mA